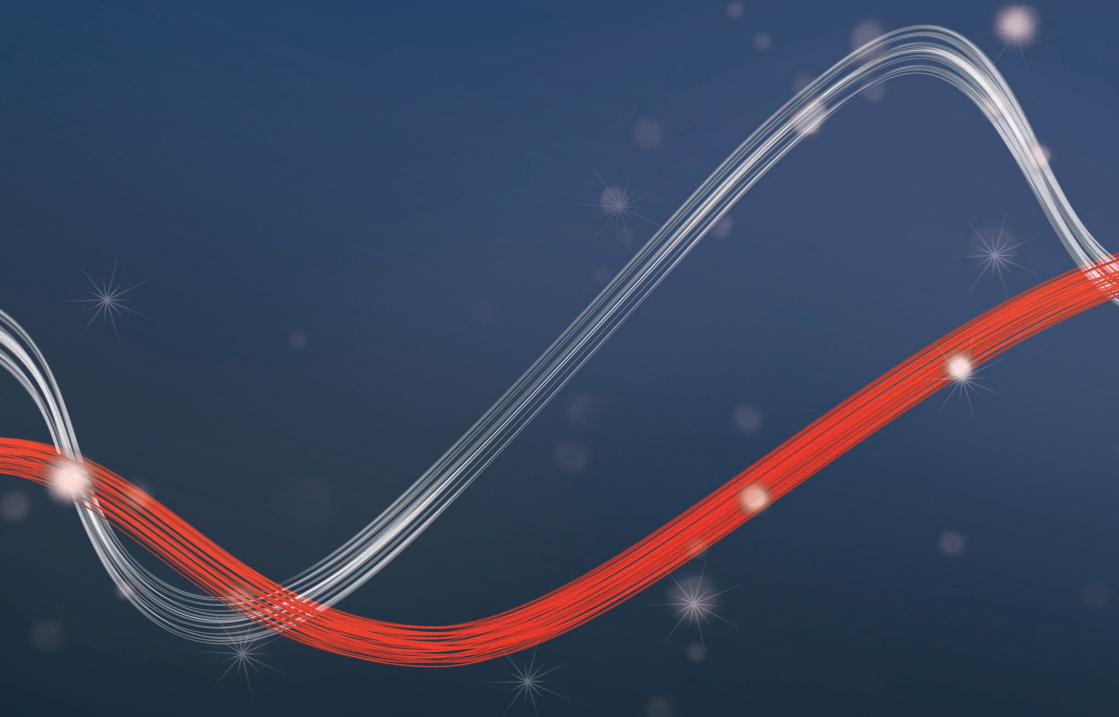




Be ahead

# ARES ULTRA BT A

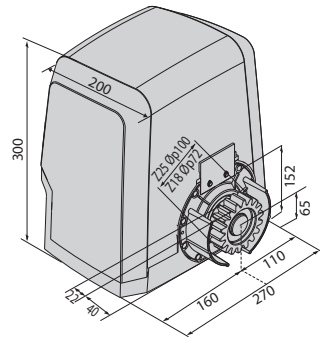




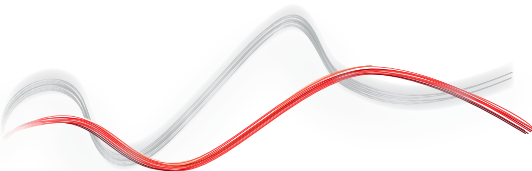
# ARES ULTRA BT A



Operators for sliding gates up to 1500kg



	ARES ULTRA BT A1000	ARES ULTRA BT A1500
Control unit		MERAK
Max Leaf	1000 kg	1500 kg
Power supply		24 V
Power input	240 W	400 W
Pinion module		4
Slowdown		yes
Locking		mechanical
Release		lever-operated with personal key
Frequency of use		intensive
Environmental conditions		from -20 °C to 55 °C
Protection rating		IP44
Actuator weight		7 kg
Impact reaction		d-track



North branch - 0161 456 0456  
South branch - 01488 674 750

[info@bft.co.uk](mailto:info@bft.co.uk)  
[www.bftautomationuk.com](http://www.bftautomationuk.com)